



INTERCOMMUNICATIONS STATIONS
LS-518()/SIC and LS-519()/SIC

DESIGN SPECIFICATIONS

MIL-I-24078

ORDERING INFORMATION

EQUIPMENT
INTERCOMMUNICATION STATION
INTERCOMMUNICATION STATION

NOMENCLATURE
LS-518()/SIC
LS-519()/SIC

DYNALC PART
61690-600
61690-700

FEATURES



- Capable of providing two way communication with up to 10 other intercommunication stations (LS-518D/SIC) or up to 20 other units (LS-519E/SIC).
- May be used in Handsfree or Press-To-Talk modes.
- Contains talk-listen loudspeaker. Other input and output devices can be used.
- Has front panel receptacle for M-132/SIC microphone or H-186A/U handset.
- Solid state electronic switching keypad.
- 10-watt amplifier capable of driving five selected station loudspeakers simultaneously to 99dB sound pressure at two (2) feet. When more than five stations are called, the output is reduced.
- Suitable for operation in 21MC and similar intercommunication circuits.
- Master Station is designed for mounting on a bulkhead, in a panel, in a desk and is suitable for shipboard installation in protected areas. When the Master Station has to be used in unprotected areas, the Watertight Enclosure (Dynalect Part 61690-220) is recommended.
- Enclosure is aluminum and dripproof in accordance with MIL-I-983E.

RELATED EQUIPMENT

EQUIPMENT	NOMENCLATURE	SYMBOL NUMBER	NATIONAL STOCK NUMBER	DYNALC NUMBER
Dynamic Microphone	M-132/SIC			60163-003
Microphone Holder	MT-3400/SIC			62501-009
Handset	H-186A/U			65002-600
Handset Holder	Type Z-33A			701021-273
Intercommunication Station	LS-518A/SIC		5830-00-250-1903	61690-000-01
Intercommunication Station	LS-519A/SIC		5830-00-118-1287	61690-000-02
Intercommunication Station	LS-458B/SIC			61690-000
Intercommunication Station	LS-385/SIC			LS-385/SIC D-5968
Intercommunication Station	LS-386A/SIC			LS-386/SIC D-5841
Amplifier, Loudspeaker	AM-7377/SIC			61716-300
Dynamic Loudspeaker	LS-305/SIC	2985		61720-350-01
Dynamic Loudspeaker	LS-306/SIC	2985-1		61720-350-02
Dynamic Loudspeaker	LS-387B/SIC	2986	5965-00-296-1808	61716-200
Dynamic Loudspeaker	LS-388B/SIC	2987	5965-00-636-2181	61716-201
Dynamic Loudspeaker	LS-678/SIC			61720-100
Watertight Enclosure				61690-220

LS-518()/SIC and LS-519()/SIC

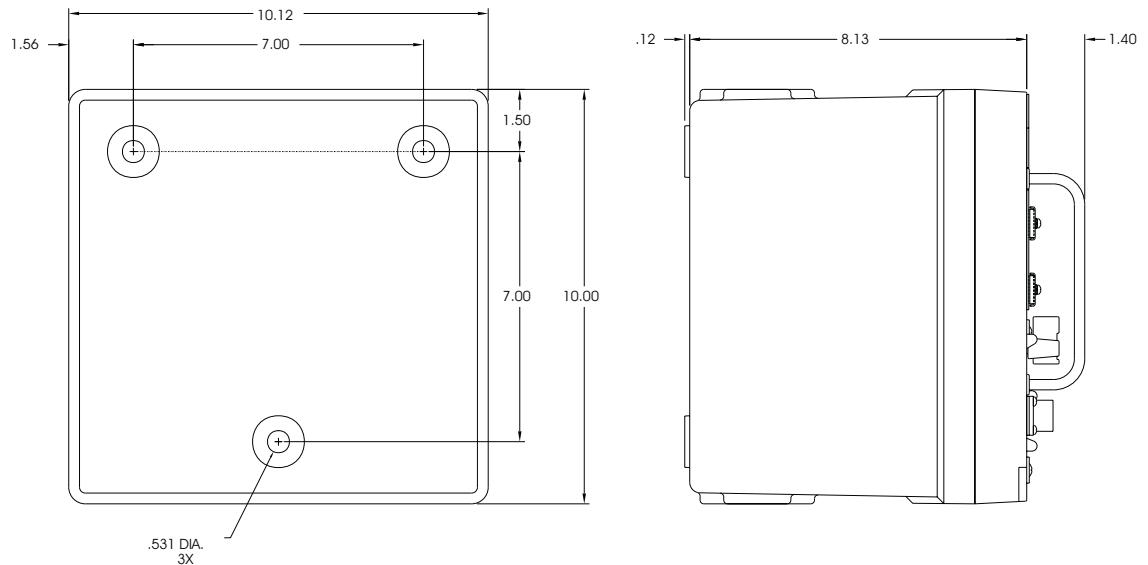
DESIGN SPECIFICATIONS

Power Requirements	25 Watts, Single Phase, 115 6 VAC, 60 3 Hertz, 1 Amp (Maximum).
Heat Dissipation	85 BTU/Hr. at full output.
Ambient Operating Temperature	0 to 65 C.
Relative Humidity	95% RH, Maximum.
Output	10 Watts at 5% maximum total harmonic distortion (70V into 490 Ohms).
Input Sensitivity	8.7 mVrms into 150 Ohms for microphone or handset; 2mVrms into 16 Ohms for loudspeaker.
Amplifier Gain	78 dB.
Amplifier Frequency Response	200-5000 Hz.
Rated Loudspeaker Output (70Vrms input at 1KHz)	99 dB SPL (ref .0002 Dynes/cm ²) at 2 feet on axis.
Rated Loudspeaker Input	86 dB SPL (ref. .0002 Dynes/cm ²) at plane of front panel.

PHYSICAL CHARACTERISTICS

	Width	Height	Depth	Weight	Shipping Weight
LS-518()/SIC	10.1"	10"	9.8"	25 Lbs.	26 Lbs.
LS-519()/SIC	10.1"	10"	9.8"	27 Lbs	28 Lbs.

MOUNTING INFORMATION



DYNALEC CORPORATION

For over thirty-five years, Dynalec Corporation has established a solid reputation for quality, design excellence and manufacturing expertise. With unsurpassed attention to detail and strict adherence to specifications and all other standards, Dynalec continues to strive to provide its customers with reliable products. Dynalec is ready to discuss or participate in any project, offer information about its products or quote on any design.



87 WEST MAIN STREET
SODUS, NEW YORK 14551

Telephone
Fax
Internet

315-483-692
315-483-6656
www.Dynalec.com