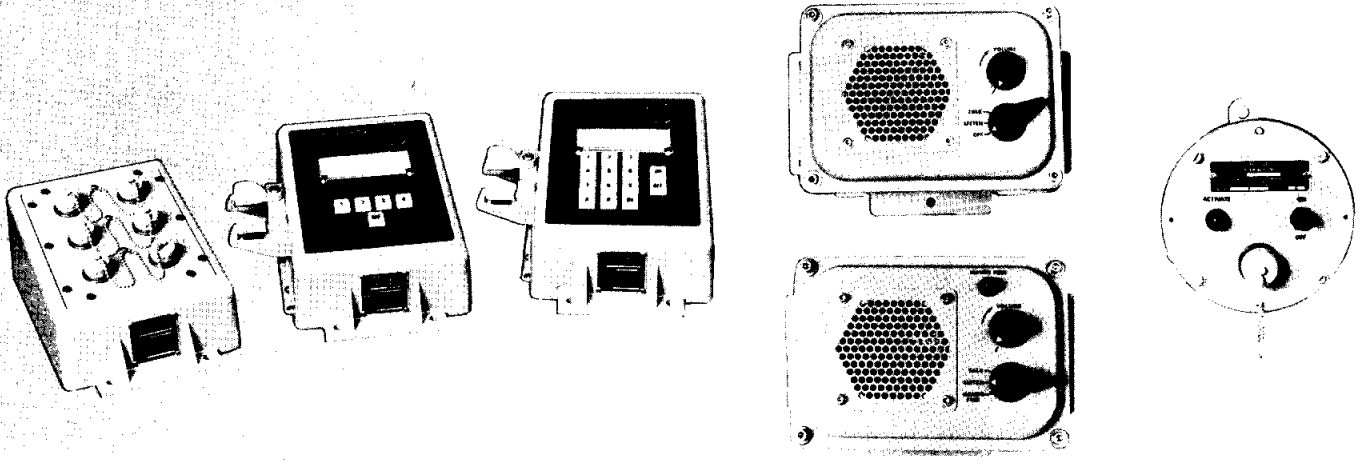




## INTERIOR VOICE COMMUNICATION SYSTEM COMPONENTS



### DESIGN SPECIFICATIONS

### LITTON SPECIFICATION 108132-621

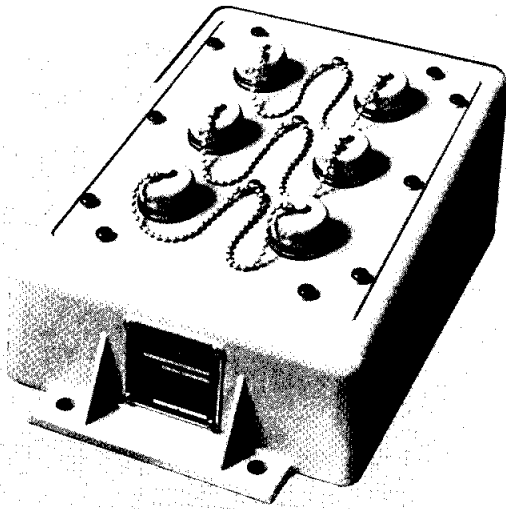
### DYNALEC PART

TELEPHONE TERMINAL, DIAL, TA-866B/STC-1	66400-000
TELEPHONE TERMINAL, NET, TA-867A/STC-1	66402-000
INTERCOMMUNICATION STATION, LS-613A/STC-1	66404-000
TELEPHONE TERMINAL, TA-992/STC-1	66407-000
INTERFACE UNIT, J-3675/STC-1	66408-000
INTERCOMMUNICATION STATION, LS-614A/STC-1	66409-000

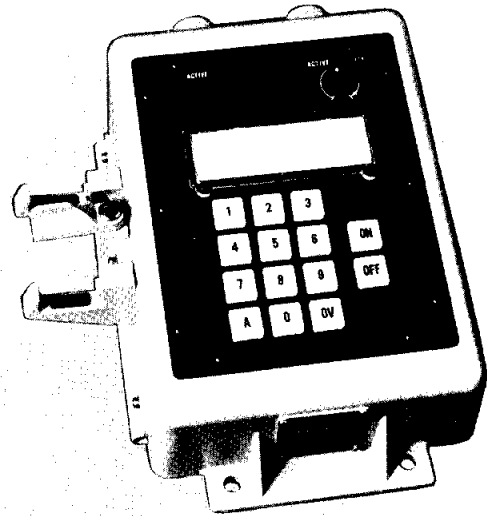
The Interior Voice Communication System is an automatic, electronic telephone system which provides the primary means for individual or group voice communications aboard ship. It combines the functions and features normally provided by several independent systems such as dial and sound powered telephones and remote radio control. As a result, the system provides private telephone conversations, conference and net communications and interfaces directly with the ship's announcing system, shore telephone lines, radio communications, man-on-the-move communications, and sound powered telephones.

DYNALEC CORPORATION manufactures components for the IVCS. These include a standard dial telephone terminal, a dedicated single net terminal, a four-net terminal, normal and "hands-free" intercommunications stations, and an interface unit which is used between a single net terminal and a handset or headset.

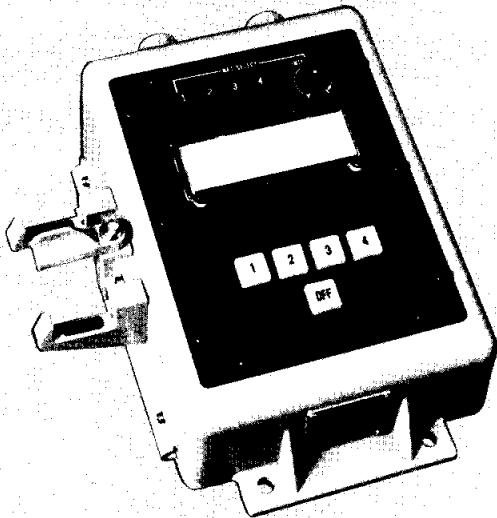
# IVCS COMPONENTS



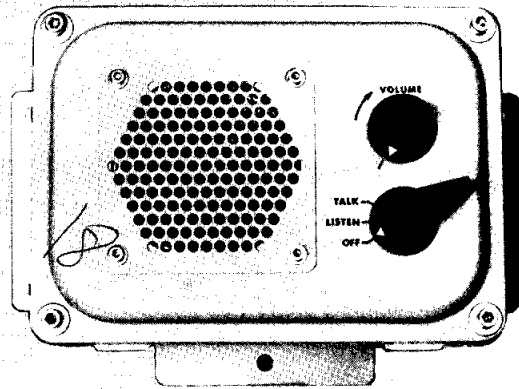
TELEPHONE TERMINAL TA-992/STC-1



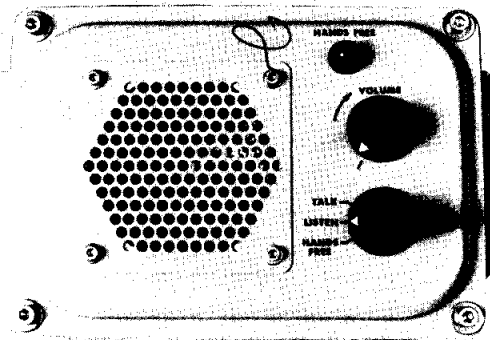
DIAL TELEPHONE TERMINAL TA-866B/STC-1



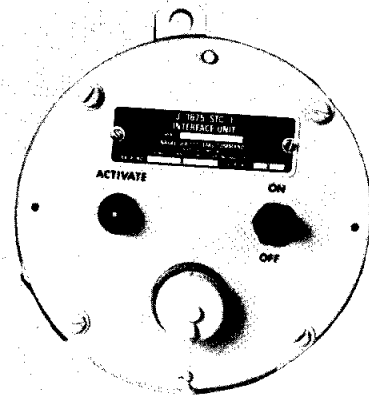
NET TELEPHONE TERMINAL TA-867A/STC-1



INTERCOMMUNICATION STATION LS-613A/STC-1



INTERCOMMUNICATION STATION LS-614A/STC-1



INTERFACE UNIT J-3675/STC-1

## DESIGN CHARACTERISTICS

### TELEPHONE TERMINAL

Power Input	18-26.5 VDC (from ICSC)
Maximum Current Draw (Idle Status)	100 Milliamps
Maximum Current Draw (Active Status)	600 Milliamps
Talk Signal Gain (With microphone input of $10 \pm 4$ millivolts)	Output shall be 0.78 volts at 1000 Hz nominal to the ICSC.
Talk Distortion	1.5% Max. at 100 Hz
Listen Signal Gain (With input from ICSC from 0.78 volts at 1000 Hz nominal.)	Headphone signal output shall be $0.32 \pm .08$ volts
Listen Distortion	3.5% Max. at 1000 Hz
Frequency Response	300 to 6,000 Hz + 1-2 dB

### DIAL TELEPHONE TERMINAL

see Telephone Terminal

### NET TELEPHONE TERMINAL

see Telephone Terminal

#### Physical Characteristics

	TELEPHONE TERMINAL	DIAL TELEPHONE TERMINAL	NET TELEPHONE
Height	12.00" (30.5 cm)	12.00" (30.5 cm)	12.00" (30.5 cm)
Width	10.12" (25.7 cm)	10.12" (25.7 cm)	10.12" (25.7 cm)
Depth	5.06" (12.9 cm)	5.06" (12.9 cm)	5.06" (12.9 cm)
Weight	8 lbs. (3.7 kg)	10 lbs. (4.6 kg)	8 lbs (3.7 kg)
Shipping Weight	9.5 lbs (4.4 kg)	11.5 lbs (5.3 kg)	9.5 lbs (4.4 kg)

### INTERCOMMUNICATION STATION LS-613A/STC-1

Power Input	10.6 VDC $\pm$ 5%
Current Draw	350 Milliamps max.
Microphone Output	$10 \pm 4$ Millivolts rms
Headphone Input	$.32 \pm .08$ Volts rms
Listen Signal Gain	2.83 Volts rms output with .316 volts rms input + 1-3 dB
Bandwidth	300-6000 Hz $\pm$ 1 dB
Distortion	5% max. 1000 Hz

#### Physical Characteristics

Height	7.12" (18.1 cm)
Width	11.00" (28.0 cm)
Depth	6.31" (16.1 cm)
Weight	10 lbs (4.6 kg)
Shipping Weight	12 lbs (5.5 kg)

### INTERCOMMUNICATION STATION LS-614A/STC-1

See Intercommunications Station  
LS-613A/STC-1

### INTERFACE UNIT J-3675/STC-1

Power Input	10.6 VDC from IVCS Terminal
Current Draw	50 Milliamps maximum

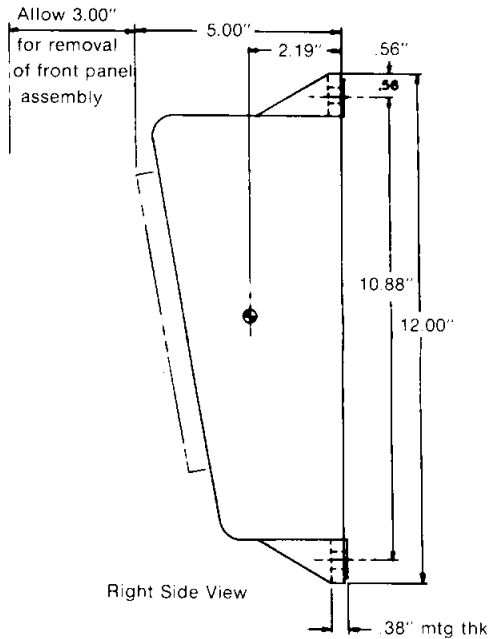
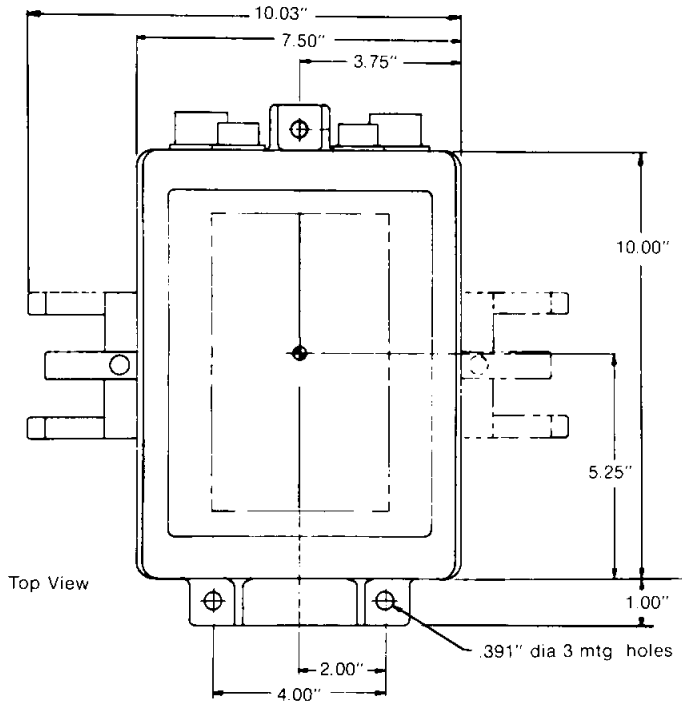
#### Physical Characteristics

Height	5.69" (14.5 cm)
Width	5.69" (14.5 cm)
Depth	3.25" (8.3 cm)
Weight	2.5 lbs (1.25 kg)
Shipping Weight	3.25 lbs (1.5 kg)

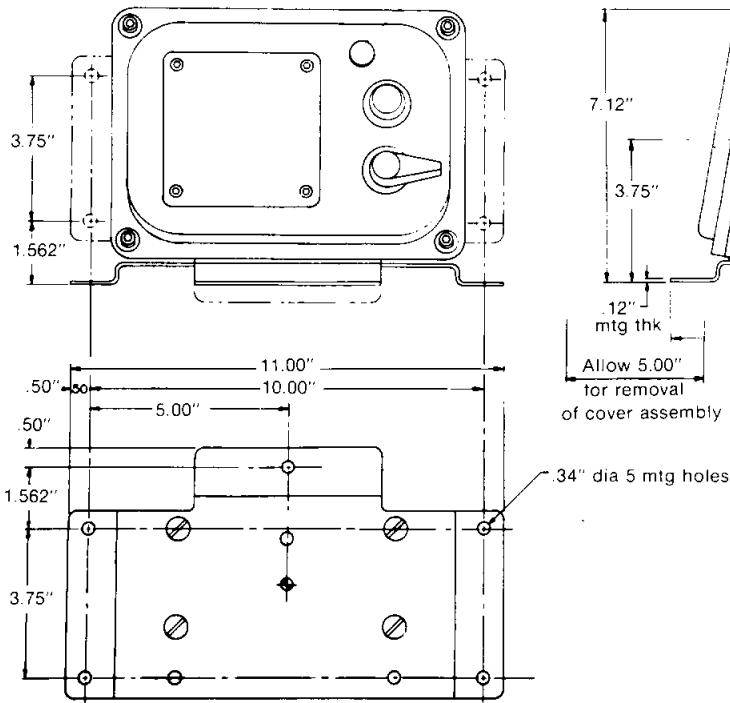
# IVCS COMPONENTS

## MOUNTING INFORMATION

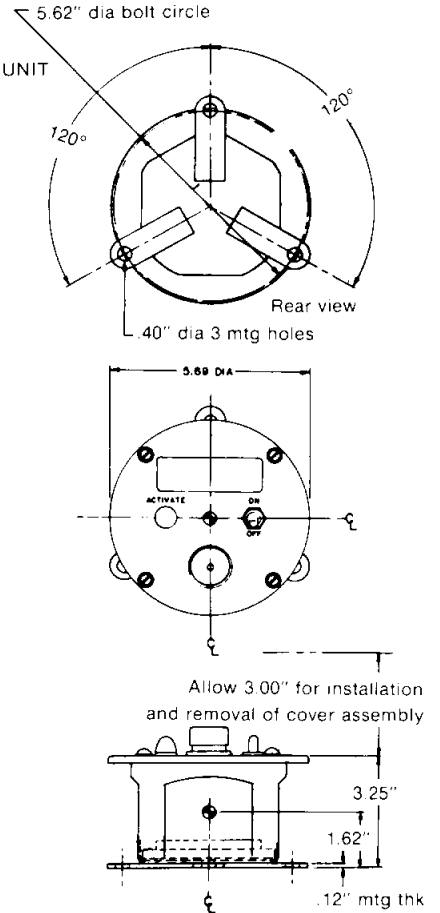
### TERMINAL UNITS



### INTERCOMMUNICATION UNITS



### INTERFACE UNIT



**DYNALEC**  
CORPORATION

87 WEST MAIN STREET  
P.O. BOX 188  
SODUS, NEW YORK 14551-0188

TELEPHONE 315-483-6923  
CABLE DYNALEC SODUS  
TELEX 322392