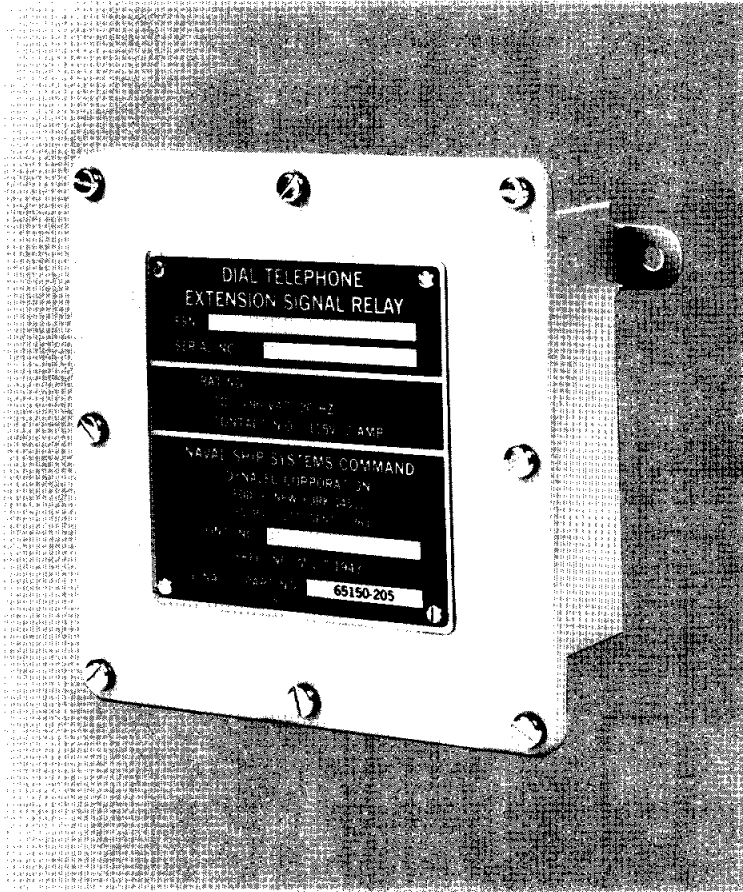




## EXTENSION SIGNAL RELAY



### DESIGN SPECIFICATIONS

MIL-T-1943

### TECHNICAL MANUAL

NAVSEA SE165-A4-MMO-010/  
100, 150 LINE

CID/APL 199110002

DYNALEC PART 65150-205

### FEATURES

- Provides station telephone sets with an additional audible and/or visual signal in high ambient noise level environments.
- Provides for signaling of incoming calls to be placed apart from telephone set.
- Extension Signal Relay is packaged in a watertight, shockproof, bulkhead-mounted enclosure.

### RELATED EQUIPMENT

#### NOMENCLATURE

30-Line Telephone Switchboard ASW-30  
100-Line Telephone Switchboard  
150-Line Telephone Switchboard  
200-700-Line Telephone Switchboard  
Bulkhead Watertight Telephone TYPE "G"  
Desk Telephone TYPE "G"  
Bulkhead Telephone TYPE "G"  
Commercial Telephones: Desk  
Bulkhead

#### DYNALEC PART

65030-000  
65100-000  
65150-000  
65200-502 through 507, 65300-000  
65020-000  
65018-000  
65019-000  
65002-001  
65001-000

# EXTENSION SIGNAL RELAY

## CHARACTERISTICS

Power Requirement 115 VAC, 60 Hz, single phase, 2 amp.

Input Requirement 90VAC, 20 Hz (from telephone set)

### Dimensions

Height 6.38" (16.3 cm)

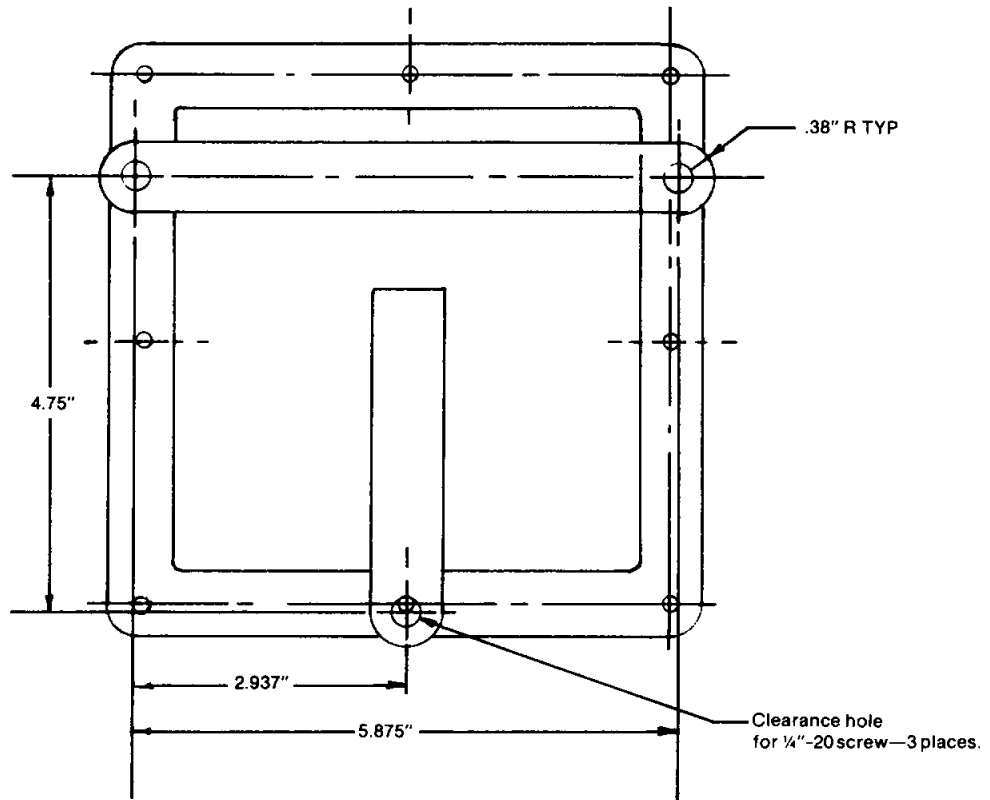
Width 6.38" (16.3 cm)

Depth 3.19" (8.2 cm)

Weight 4 lbs. (1.9 Kg)

Shipping Weight 5.5 lbs. (2.5 Kg)

## MOUNTING INFORMATION



**DYNALEC**  
CORPORATION

87 WEST MAIN STREET  
SODUS, NEW YORK 14451

TELEPHONE 315-483-6923  
CABLE DYNALEC SODUS  
TELEX 322392