

**DESK AND WALL MOUNT
8411D MOD. TELEPHONE**

ORDERING INFORMATION

8411D MODIFIED

DYNALEC PART

65032-200

FEATURES:

- Designed to interface with any Lucent Technology switchboard utilizing DCP (Digital Communication Protocol)
- Supports simultaneous IC and IP calls
- Channel two is configured as an auto answer hands free speaker phone
- System interface consist of Line In, Adjunct, Speaker Out and Aux line connections
- Pivoting base allows for desk or bulkhead mounting
- Handset is secured to phone via push button latch. Optional PTT switch can be added as required

8411D MODIFIED TELEPHONE

ENVIRONMENTAL CHARACTERISTICS

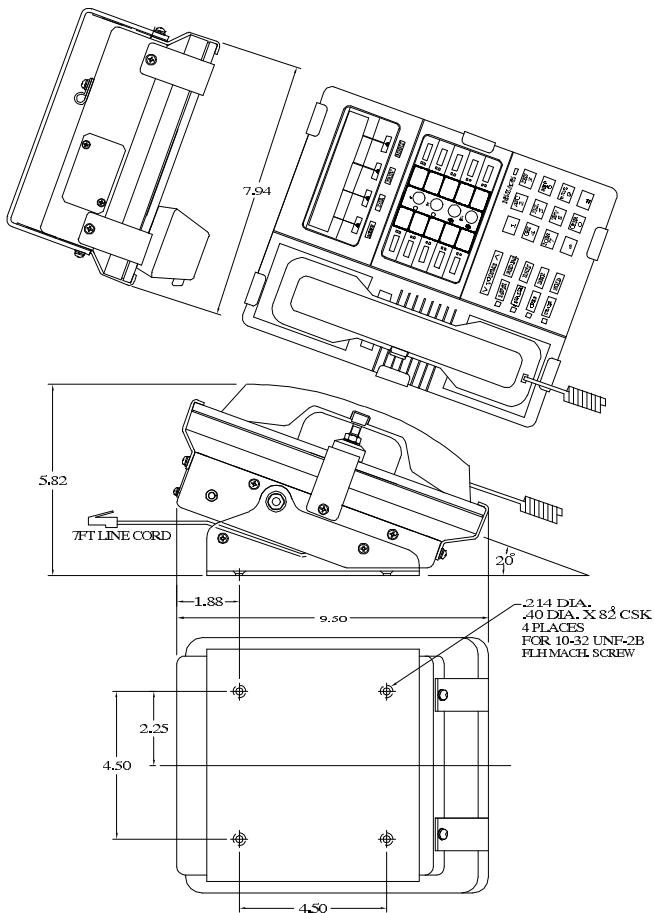
Shock MIL-S-910D

Vibration MIL-STD-167-1

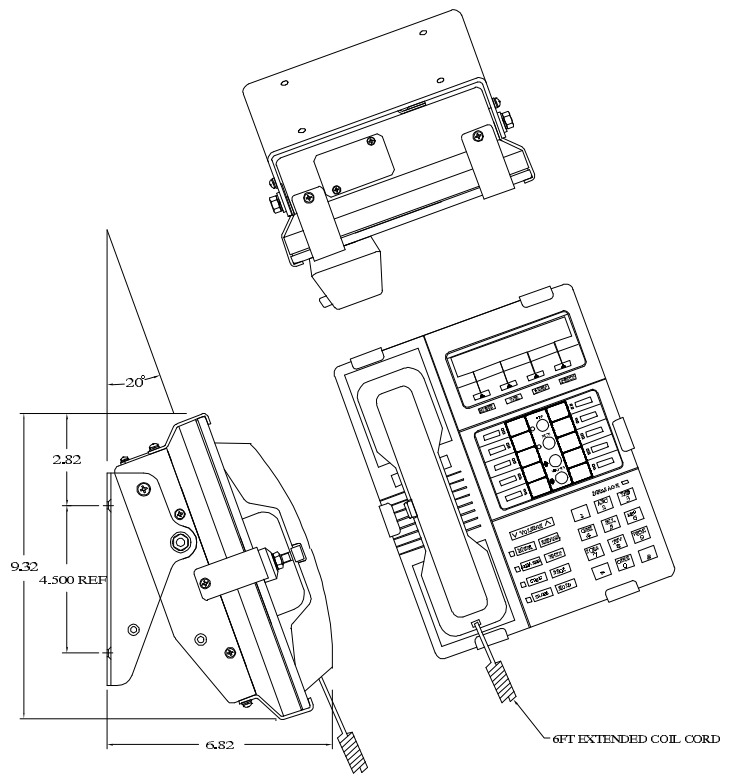
Weight 5 lbs (2.3 Kg)
Shipping Weight 6 lbs (2.7 Kg)

MOUNTING INFORMATION

DESK MOUNTING



BULKHEAD MOUNTING



DYNALEC
CORPORATION

87 WEST MAIN STREET
SODUS, NEW YORK 14551

TelephoneE
Fax
Internet

315-483-6925
315-483-6656
WWW.Dynalec.com

