

MICROPHONE, MAGNETIC**DESIGN SPECIFICATION**

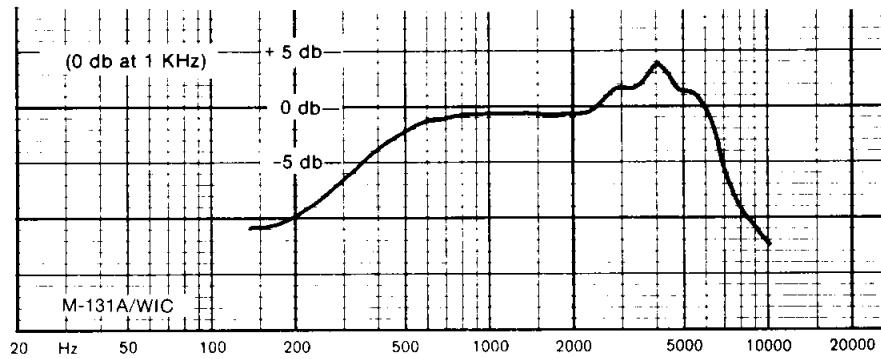
MIL-M-23813A(SHIPS)

DYNALEC PART**60163-060****FEATURES**

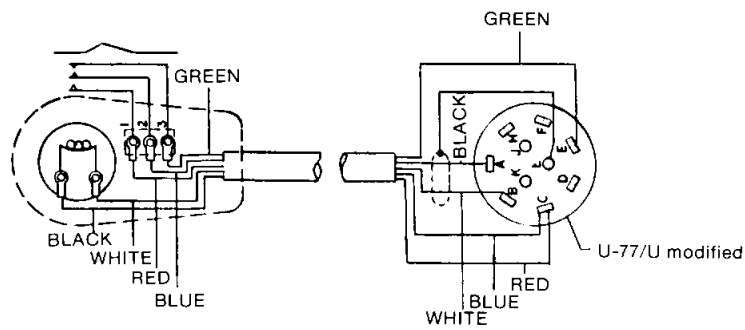
- Intercommunication and announcing equipment for shipboard.
- Hand-held microphone.
- 120 inch (extended length) coil cord.
- Press-to-talk switch.
- Ten pin connector.
- Black plastic case.
- Microphone cable and connector attached.
- Microphone holder assembly furnished with each microphone.
- Connector plug type U-77/U MODIFIED
- Replaces type M-106/U.
- Rated output voltage 1mVrms at 1000 Hz (Same as M-124/SIC)

M-131A/WIC

TYPICAL FREQUENCY RESPONSE



WIRING DIAGRAM

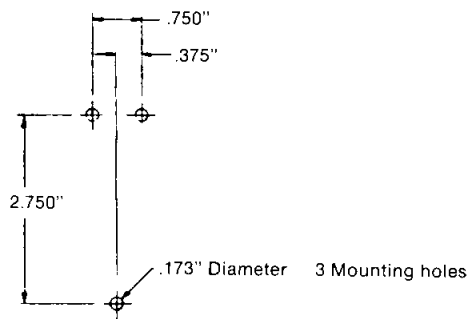


PHYSICAL CHARACTERISTICS

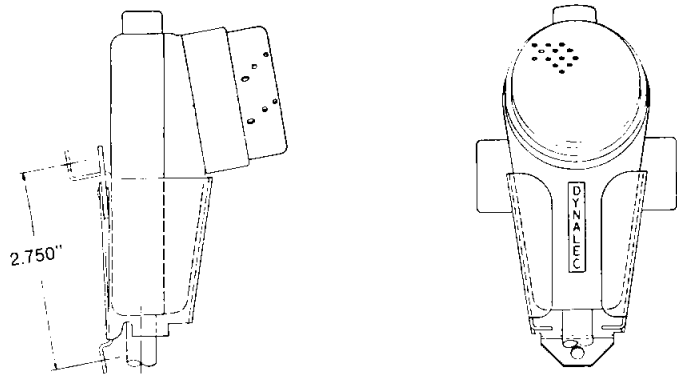
Height	4.25"	(10.80cm)
Width	2.00"	(5.08cm)
Depth	2.44"	(6.20cm)

Shipping weight 3 pounds (1.35kg)

MOUNTING INFORMATION



MOUNTING HOLE PATTERN



DYNALPEC
CORPORATION

87 WEST MAIN STREET
SODUS, NEW YORK 14551

TELEPHONE 315-483-69
716-546-8168
CABLE DYNALPEC SODUS
TELEX 510-250-2382